

Where is the V.I.N located on my Subaru?

The V.I.N. (Vehicle Identification Number) is the unique code that is applied to your vehicle when it is manufactured. This code is only ever used once and identifies your exact car. The V.I.N. is recorded and located in a number of locations which can vary from model to model.

Locations can include the vehicle firewall, build plate located in the engine bay or base of the passenger side 'B' pillar.

1. Diagram 1 shows an example of the easiest location to access – the build plate located in the engine bay. The V.I.N. is highlighted in red. This example is from a used Japanese Import Vehicle.
2. Diagram 2 is an example of the build plate located at the base of the passenger side 'B' pillar.
3. Diagram 3 shows all other places to locate your V.I.N.

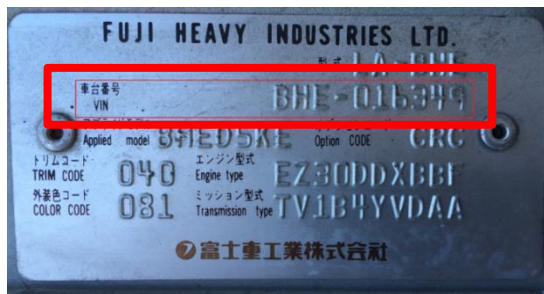


Diagram 1

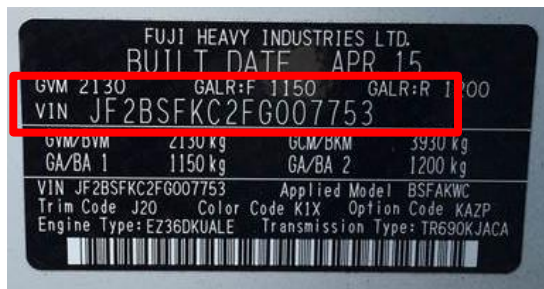


Diagram 2

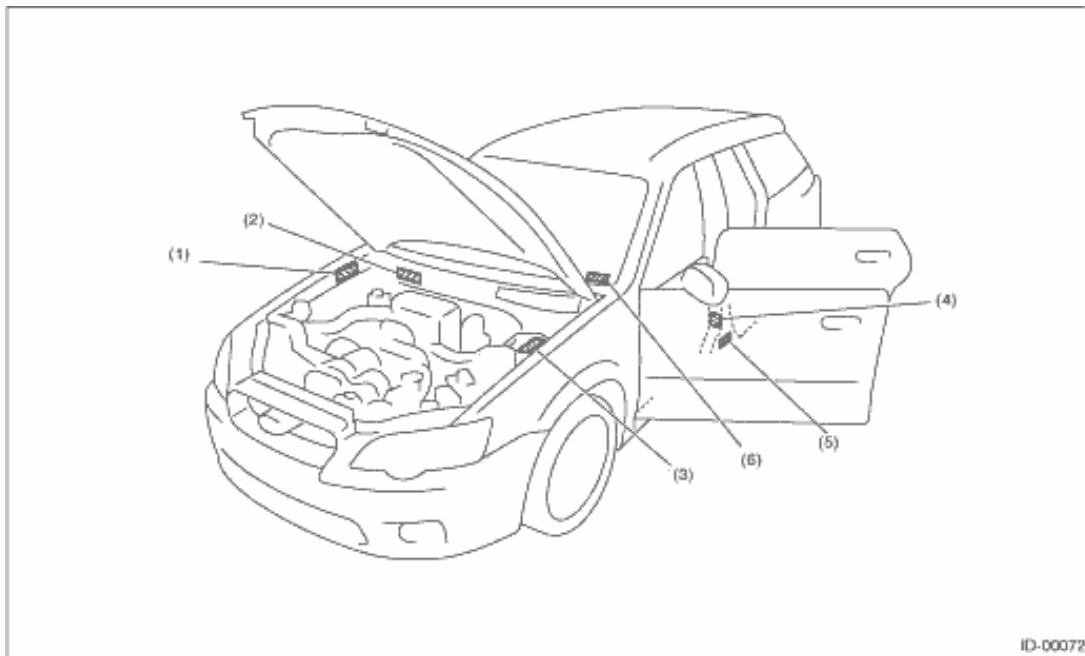


Diagram 3